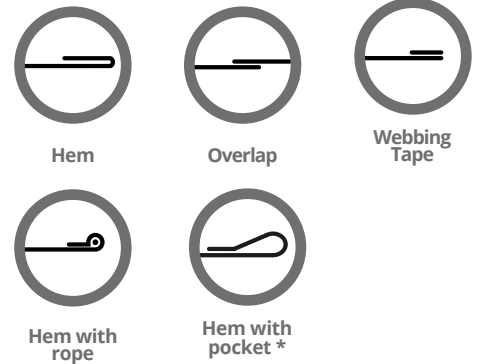


Evolve Air&Wedge Welder



WELDING OPTIONS



This multi-purpose welder stands out as an indispensable tool for any wide format printing operation, offering unmatched versatility and efficiency. Its ability to easily **create hems or join banners** by simply switching out the welding guides makes it an essential piece of equipment for producing high-quality, durable banners and large-scale prints.

Maximum speed of up to **20 meters per minute**, this machine ensures rapid production times, although actual speed may vary depending on the specific application, weld width, and materials used.

Intuitive user interface, operators can quickly adjust settings to cater to different materials and welding requirements, ensuring precision and consistency in every job.

Compatible with a wide range of materials, **PVC** laminated fabrics, PVC coated fabrics, woven polypropylene, woven polyethylene, making it a versatile solution for various printing projects. Tested on Kavalan Sunlight Weldable (**PVC-free**) making it a versatile solution for various printing projects.

Safety is a priority with this welder, incorporating several safety features such as emergency stop button, heat shield guards to protect the operator, and automatic shut-off mechanisms to extend the machine's lifespan. Its compact design allows for easy integration into existing workflows, while its robust construction ensures reliability and durability, even in the busiest printing environments.

WELDING OPTIONS

- Hem
- Hem with rope
- Webbing Tape
- Overlap
- Hem with pocket (Optional)*

WELDABLE MATERIALS

- PVC laminated fabrics
- PVC coated fabrics
- Woven polypropylene
- Woven polyethylene
- Kavalan Sunlight Weldable (PVC-free)

INCLUDED

1. Hot air nozzle 40mm
2. Hot wedge 30mm
3. Hemming guide (up to 40mm)
4. Joining and tape guide
5. Welding rollers 30mm/40mm

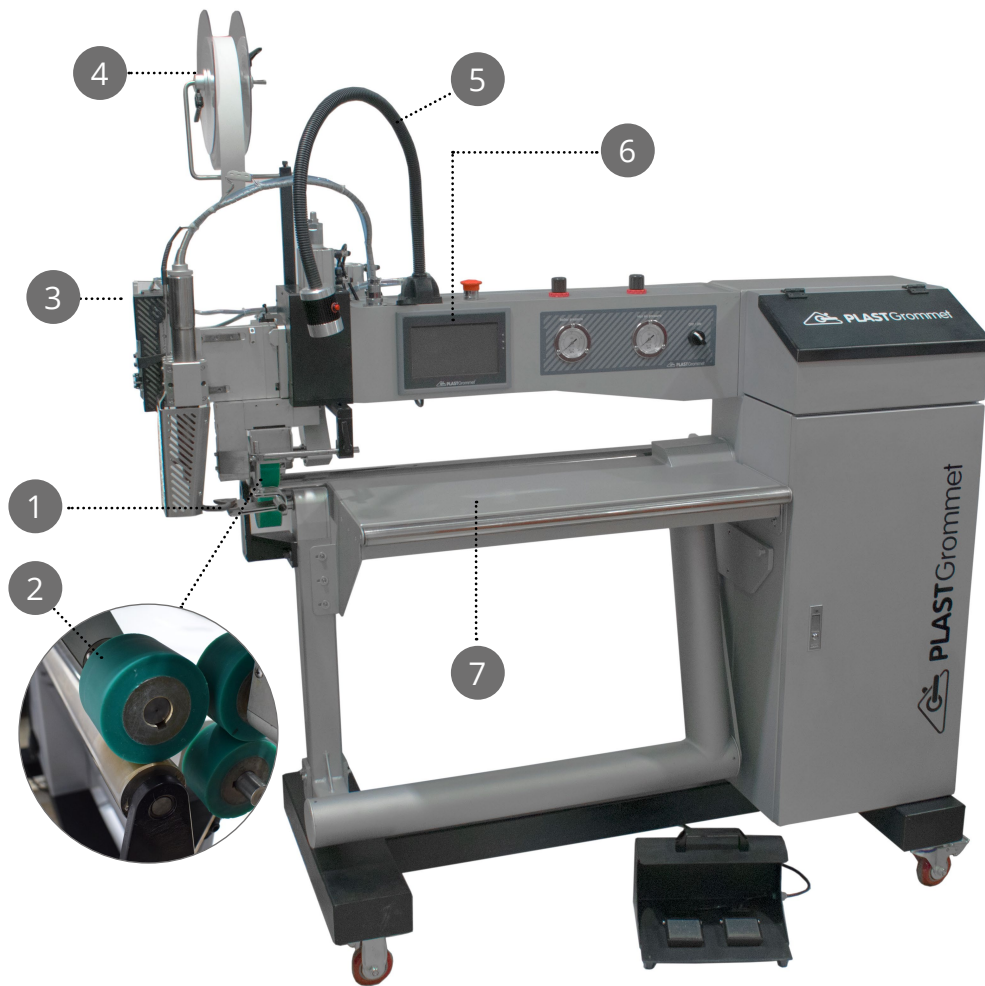
Features & Technical Specifications

Model	Evolve Air&Wedge Welder
Reference	EVOLVE
Welding options	Hem Hem with rope Webbing Tape Overlap Hem with pocket (Optional)*
Weldable materials	PVC laminated fabrics PVC coated fabrics Wooven polypropylene Wooven polyethylene Much more
Speed	1-20m/min Speed will depend on the application, weld width and materials.*
Hot air	40 mm nozzle - Up to 700° C
Hot wedge	30 mm - Up to 700° C
Welding rollers width	30 mm / 40 mm
Power requeriments	230 V - Single Phase 13.5 A
Air requeriments	5 Bar (0.5 Mpa)
Power consumption	3.1 kW (3105 W) (Maximum at 700° C.)
Air consumption	250 l/min. (9 cf/min.)
Screen	Multilingual HMI - Color touch screen 7" (800x480p)
Dimensions	
Height	1540 mm (60.6 inches)
Width	1520 mm (59.8 inches)
Depth	650 mm (25.6 inches)
Weight	230 kg (507 lb)



OPTIONAL EQUIPMENT

Hot air nozzle	20 mm / 30mm / 50 mm
Hot wedge	20 mm
Welding rollers width	20 mm / 50 mm
Other optionals	Pocket guide / Table (L-shaped)



- 1. Equipped with Hot Air (up to 700°C) & Hot Wedge (up to 700°C)
- 2. Material puller for long welds (50 mm roller)
- 3. Precision welding head positioning (XYZ) with stepper motors
- 4. Tape dispenser

- 5. Lamp
- 6. Easy to use multilingual HMI
- 7. Built-in table

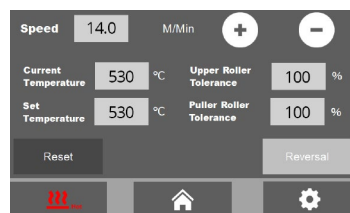
TOUCHSCREEN

This equipment features a 7" color touchscreen that allows for all adjustments to be made quickly and easily for your work. The touchscreen is designed for industrial environments, featuring a durable and responsive surface that can withstand the demands of daily operation in a wide format printing facility.

- Intuitive User Interface: Easy to navigate menus and settings for efficient operation.
- Real-time Adjustments: Quick parameter changes for speed, weld width, and material compatibility.
- Multiple languages available.



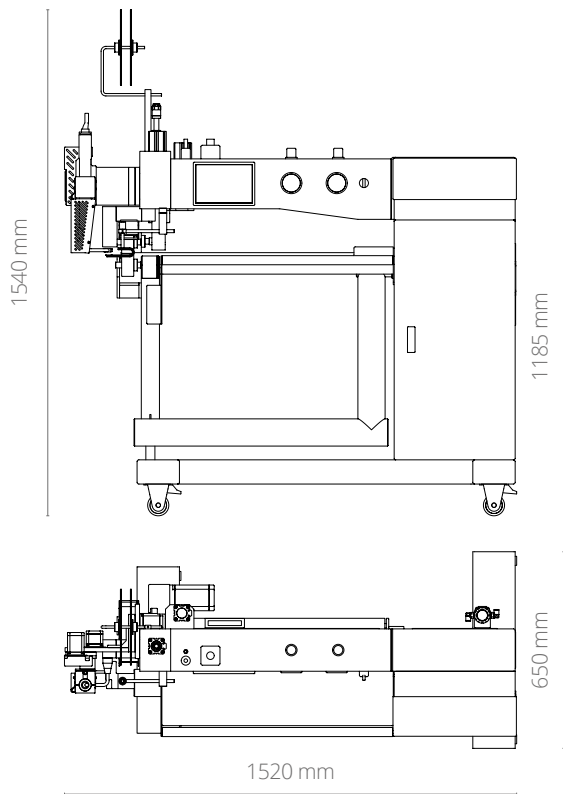
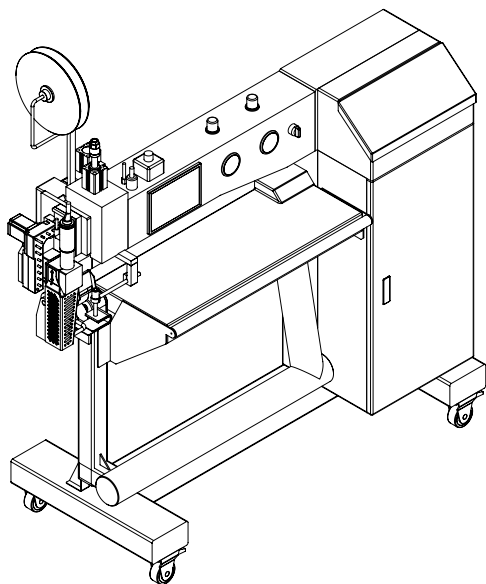
Multilingual HMI.



Intuitive interface.



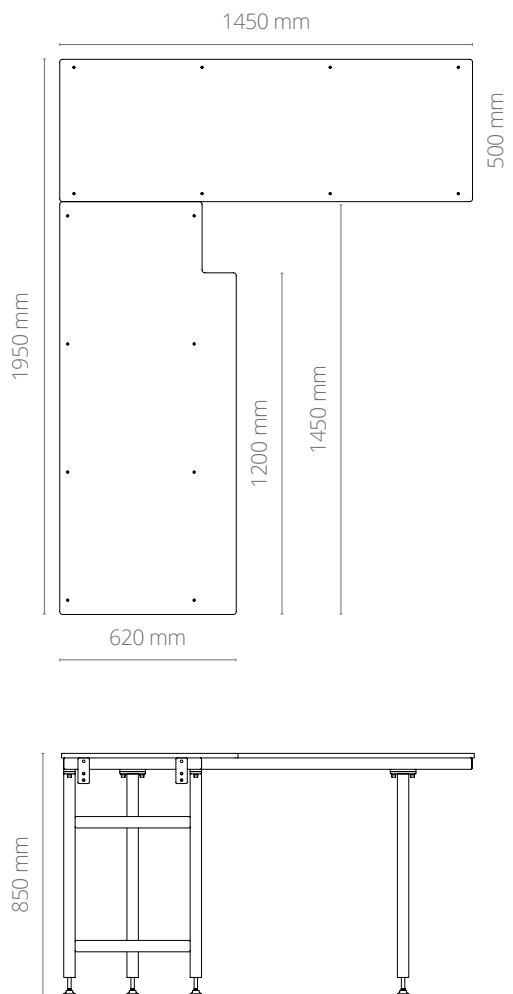
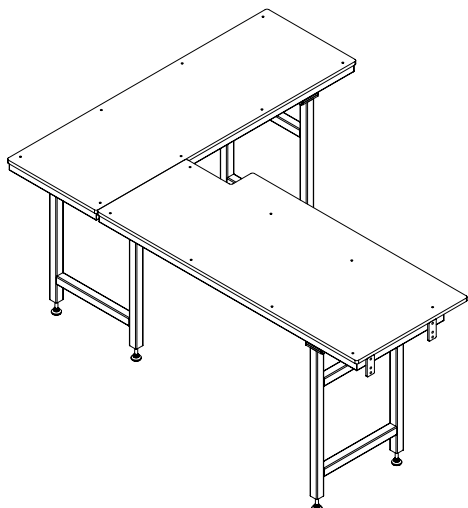
EVOLVE AIR&WEDGE WELDER



OPTIONAL TABLE (L-SHAPED)

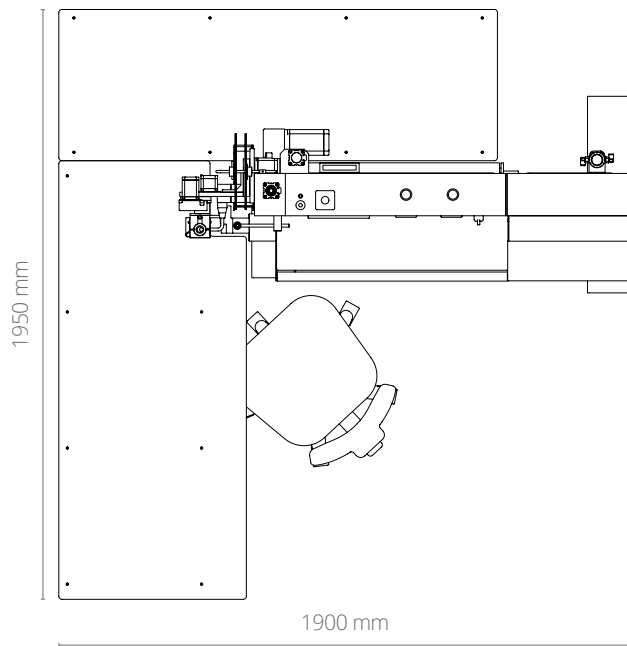
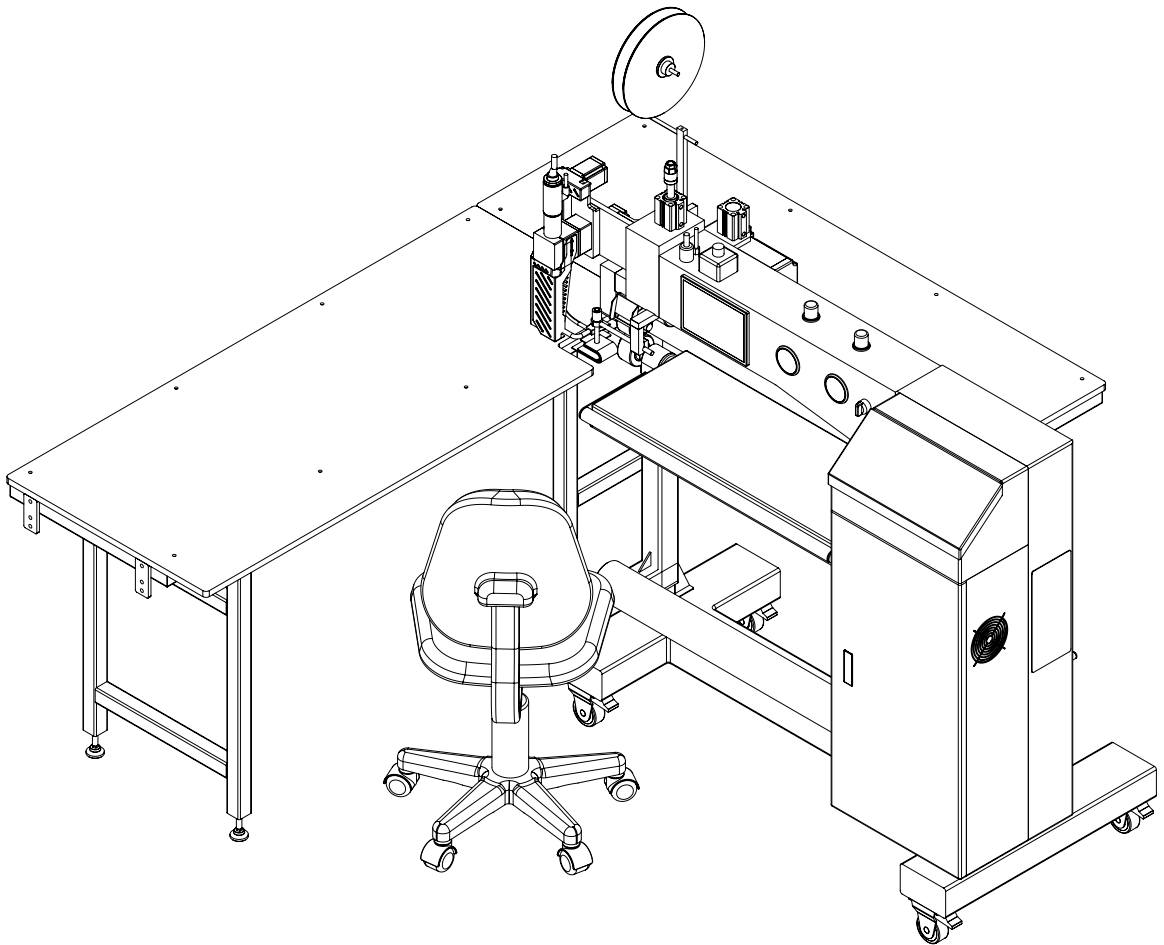


Ref.: EVOLVETABLE



FOOTPRINT

Evolve Air&Edge Welder + Table (L-shaped).



© PLASTGROMMET S.L.U.

Factory and Headquarters | PLASTGROMMET S.L.U.
Carretera Font Roja, 23 | 03801, ALCOY (Alicante) | SPAIN
Tel: +34 965 339 969 | info@plastgrommet.com

US Office | PLASTGROMMET, INC
8950 SW 74th Ct., Suite 1406 | Miami, FL 33156 | USA
Tel: +1 305 447 7040 | usa@plastgrommet.com