

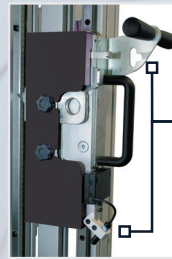
UPPERCUT MANUAL

The **UpperCut** cutter is designed to slice through all rigid and semi-rigid materials prevalent in the current sign, frame, and photo markets. Its dependable linear bearing guide system, along with a sturdy structure, ensures precise and smooth cutting across various materials. Featuring an interchangeable cutting head system, it provides a user-friendly method to accommodate all existing cutting heads and is future-ready for new tools.

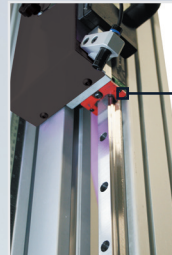
Offered in two cutting lengths - 210 cm (82") and 250 cm (98") - the **UpperCut** cutter boasts an impressive cutting capability of up to 20 mm in thickness.



FEATURES



- Versatile interchangeable cutting head system.
- Dual handle design for easy cutting of tough materials.
- Universal laser beam accessory for precise cutting lines.



- Smooth, accurate cutting with two bearing blocks on a linear rail.
- Guided counterbalance for effortless cutting head movement.



- Pneumatic clamping system for quick, reliable material hold.

- Adjustable telescopic legs for optimal working comfort.

- Simple setup and squaring with adjusting screws.



- Cuts up to 20 mm thickness in semi-rigid materials.

- Wall-mountable or compatible with a free-standing accessory.

ALUMINIUM COMPOSITE
Up to 4 mm
(Included)

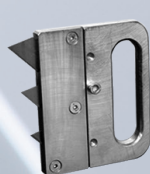
TRIPLE BLADE
Up to 20 mm
(Accessory)

ACRYLIC
Up to 6 mm
(Accessory)

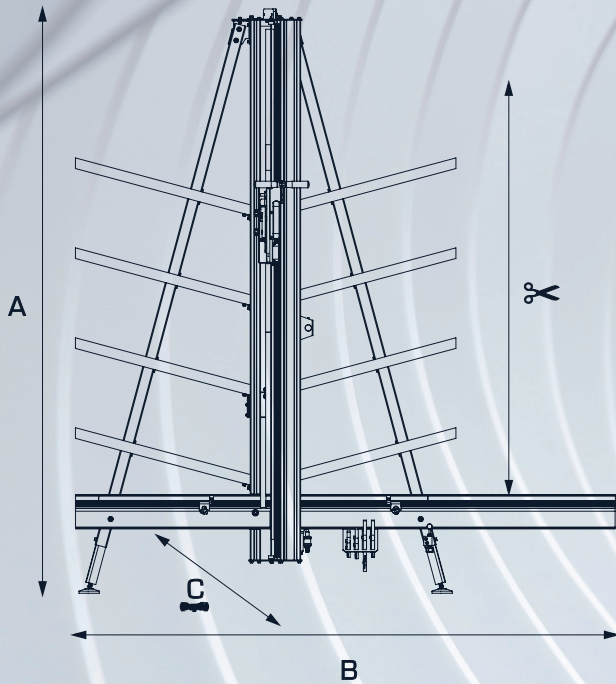
SEMI-RIGIDS
Up to 13 mm
(Included)

V-GROOVE RIGIDS
Up to 5 mm
(Accessory)

V-GROOVE SEMI-RIGIDS
Up to 20 mm
(Accessory)



UPPERCUT MANUAL



RIGIDS	Max. thickness
PVC Foamboard	13 mm
Aluminium composite / Dibond®	4 mm
Aluminium sheets / CromaLuxe®	1 mm
MDF / Wood	4 mm
Acrylics / Plexiglas®	6 mm * / ^
Glass	6 mm * / ^
SEMI-RIGIDS	Max. thickness
Foamboard	13 mm / 20 mm *
Cardboard	13 mm / 20 mm *
Honeycomb / Re-board®	13 mm / 20 mm *
Corrugated plastic	13 mm
Passepartout	4
V-GROOVE	Max. thickness
Aluminium composite / Dibond®	4 mm *
Honeycomb / Re-board®	20 mm *
Foamboard	13 mm *

* Optional accessory required. ^ Score and snap.

TECHNICAL INFORMATION	UpperCut 210	UpperCut 250
Cutting head	Manual	Manual
Clam system	Pneumatic	Pneumatic
Max. cutting height	210 cm / 82"	250 cm / 98"
Dimensions A x B x C	268 x 210 x 56 cm 105 x 82 x 22"	310 x 210 x 56 cm 122 x 82 x 22"
Weight	84 Kg / 185 lb	102 kg / 224 lb
Packing dimensions	278 x 49 x 46 cm	331 x 49 x 46 cm
Packing weight	114 Kg 126 Kg (with free standing)	130 Kg 144 Kg (with free standing)

ACCESSORIES

Aluminium composites cutting head (included)

Single blade cutting head (included)

Acrylic cutting head

Triple blade cutting head

V-Groove cutting head

Glass cutting head

V-Groove cutting head support

Re-board® V-Groove cutting head

Foamboard V-Groove cutting head

Arm extension for Inblade (1m)

Laser beam