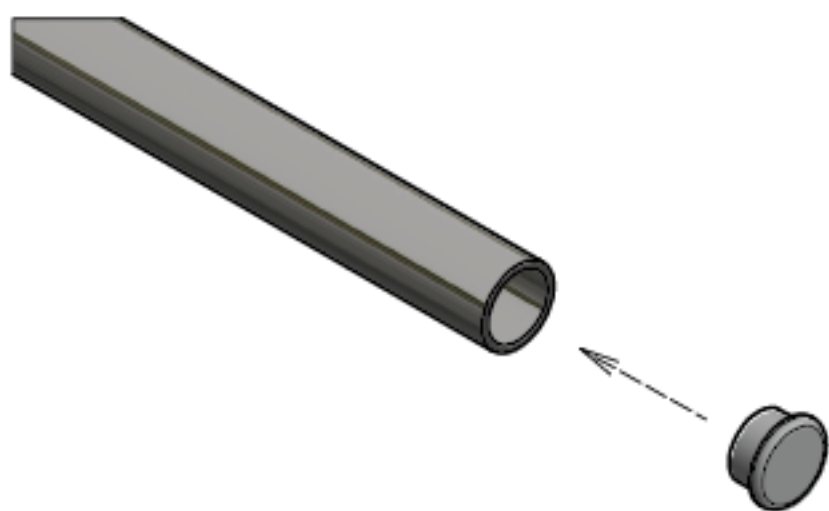


STEP 5





RAZORBACK TABLE BRACKET

USER MANUAL

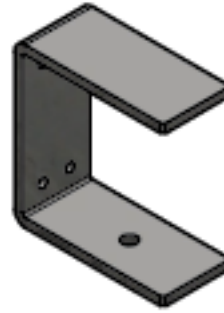
COMPONENTS



1X



1X



2X



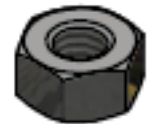
2X



2X



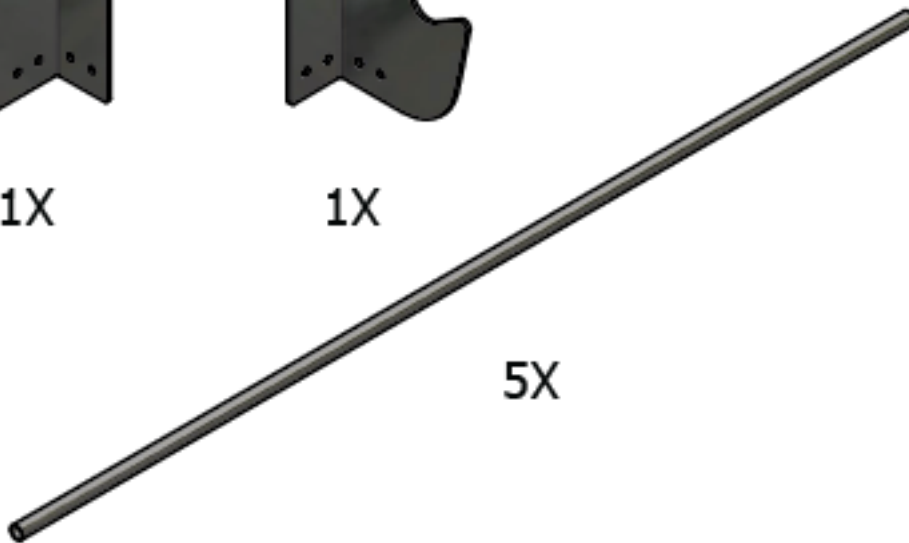
8X



8X

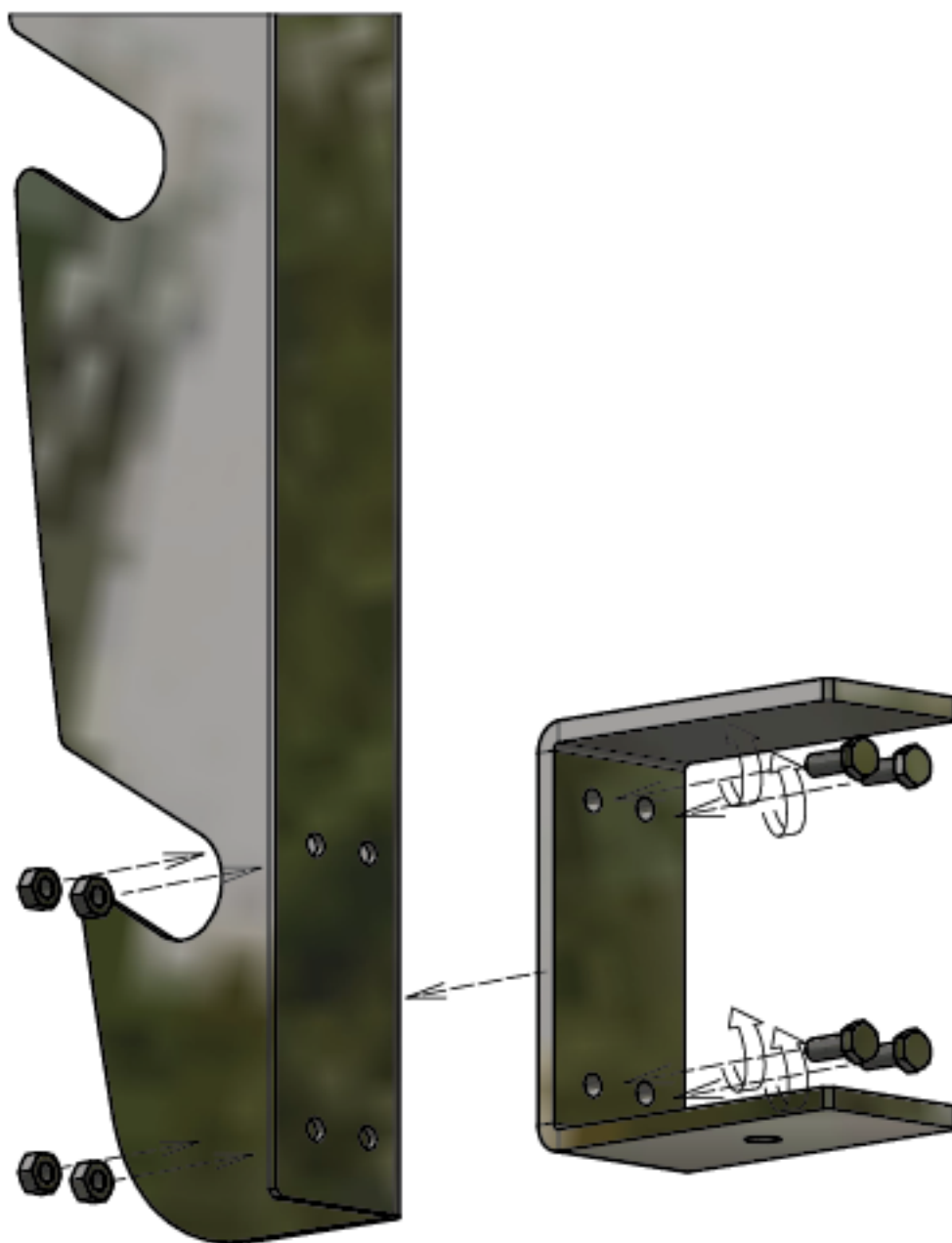


10X

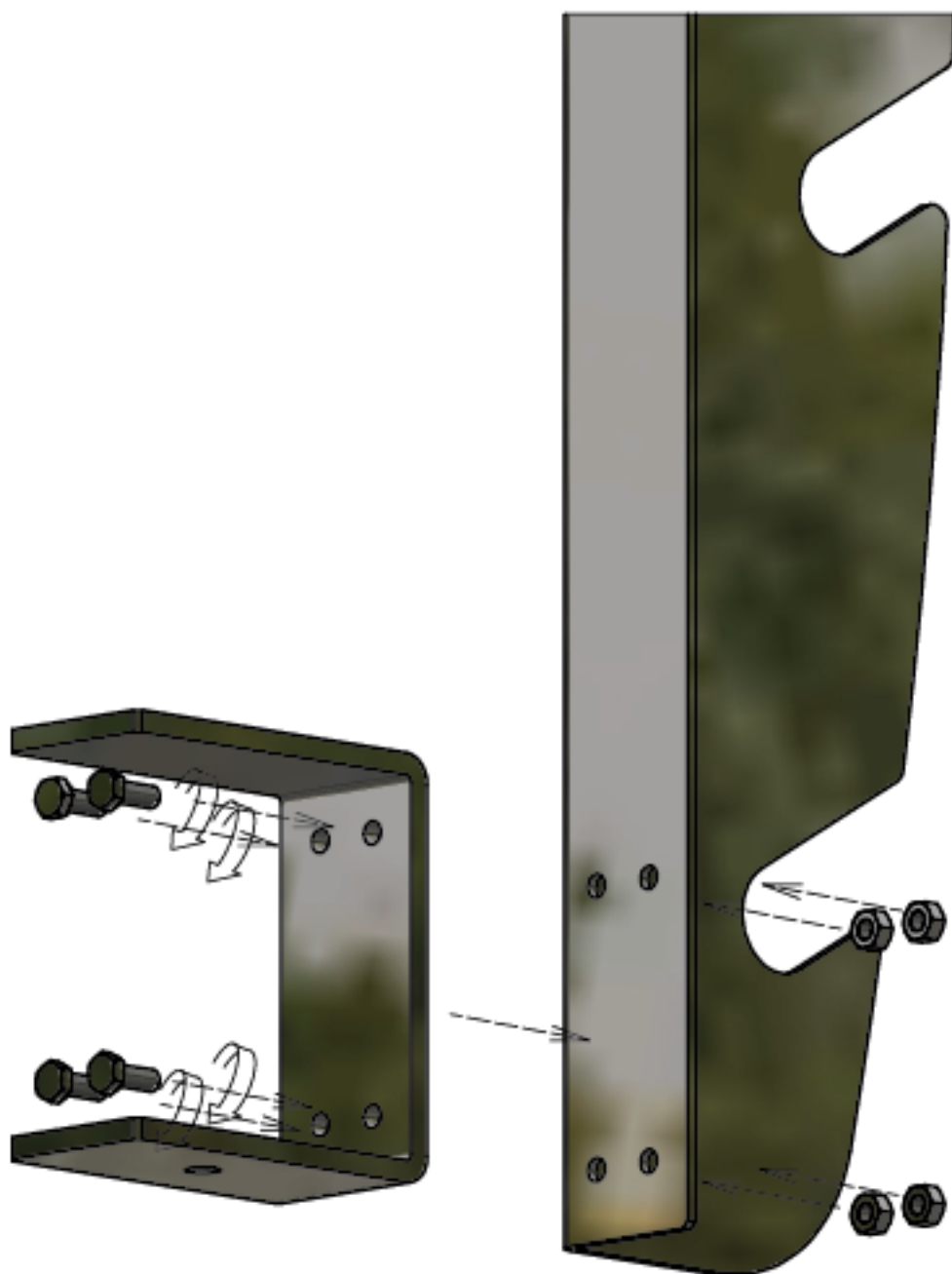


5X

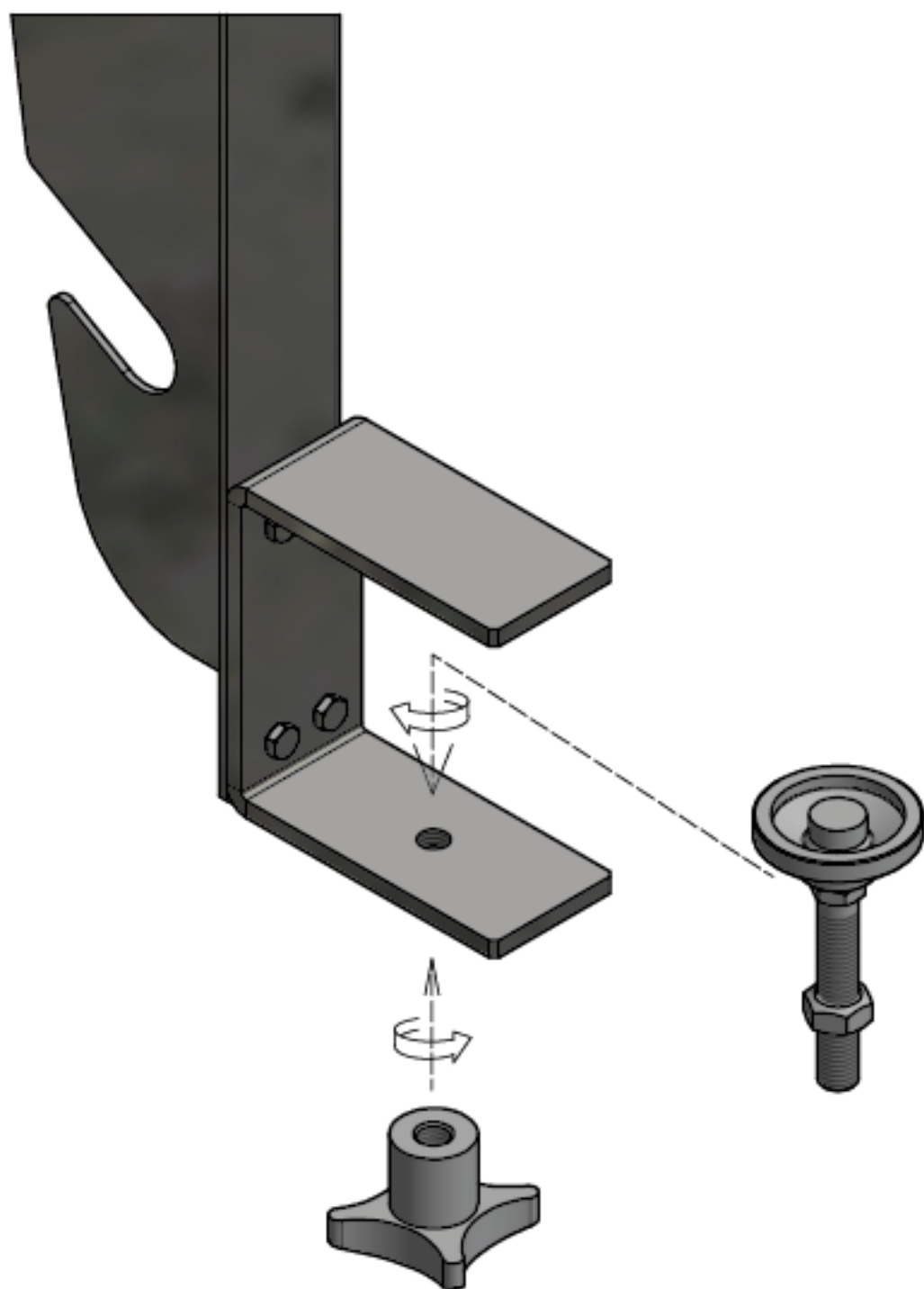
STEP 1



STEP 2



STEP 3



STEP 4

