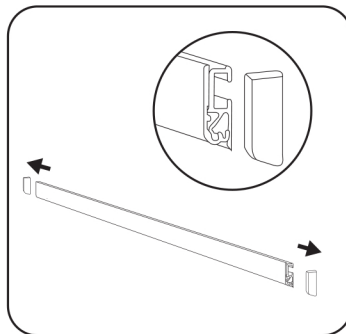


**POCKET
ROC**

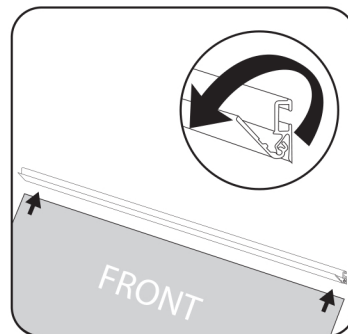
ET1-95
ADJUSTABLE RETRACTABLE BANNER



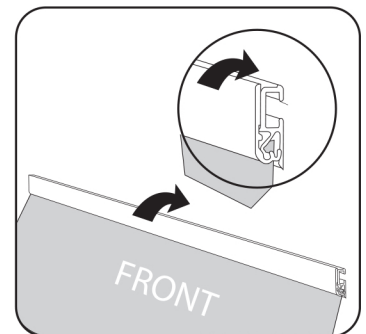
- 1** Contents:
- Base
 - Poles
 - Top bar
 - Carry bag



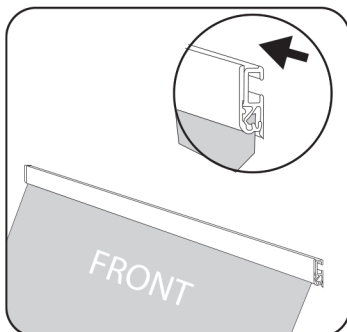
- 2** Remove the plastic end caps from the top bar



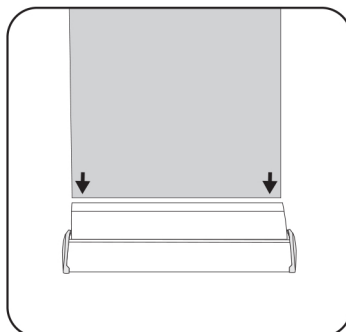
- 3** Open the top bar and fully insert the banner (front facing up)



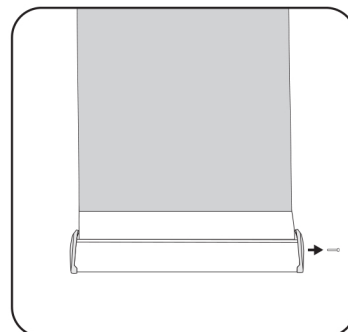
- 4** Press down firmly on top bar to secure graphic into place



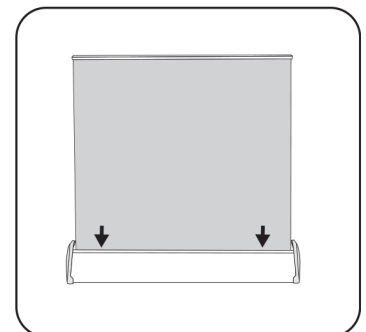
- 5** Place the plastic end caps back onto the top bar



- 6** Peel the paper off the adhesive along the edge of the leader. Ensure the bottom of the banner is straight along the adhesive and attach the banner (front facing up)

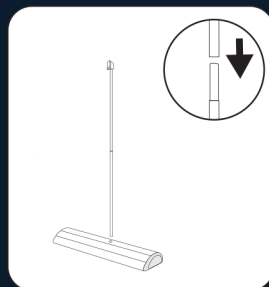


- 7** Gripping the banner securely with one hand, remove the locking pin from the right side of the base

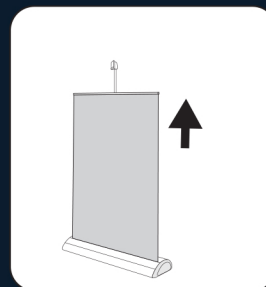


- 8** Carefully allow the banner to retract into the base, keeping it even distance from the edge of the base on both sides

**SET UP
STEPS**



- A** Assemble the two (or four) poles, and insert the round end in the base



- B** Hold the top bar and pull up the banner to the top of the pole



- C** Tilt the top bar back on a slight angle to position the fitting at the top of the pole into the channel in the center of the top bar