

WALL RACK EXTENDER

INSTRUCTION SHEET

Use with wall rack or by itself



COMPONENTS



2X



6X



4X



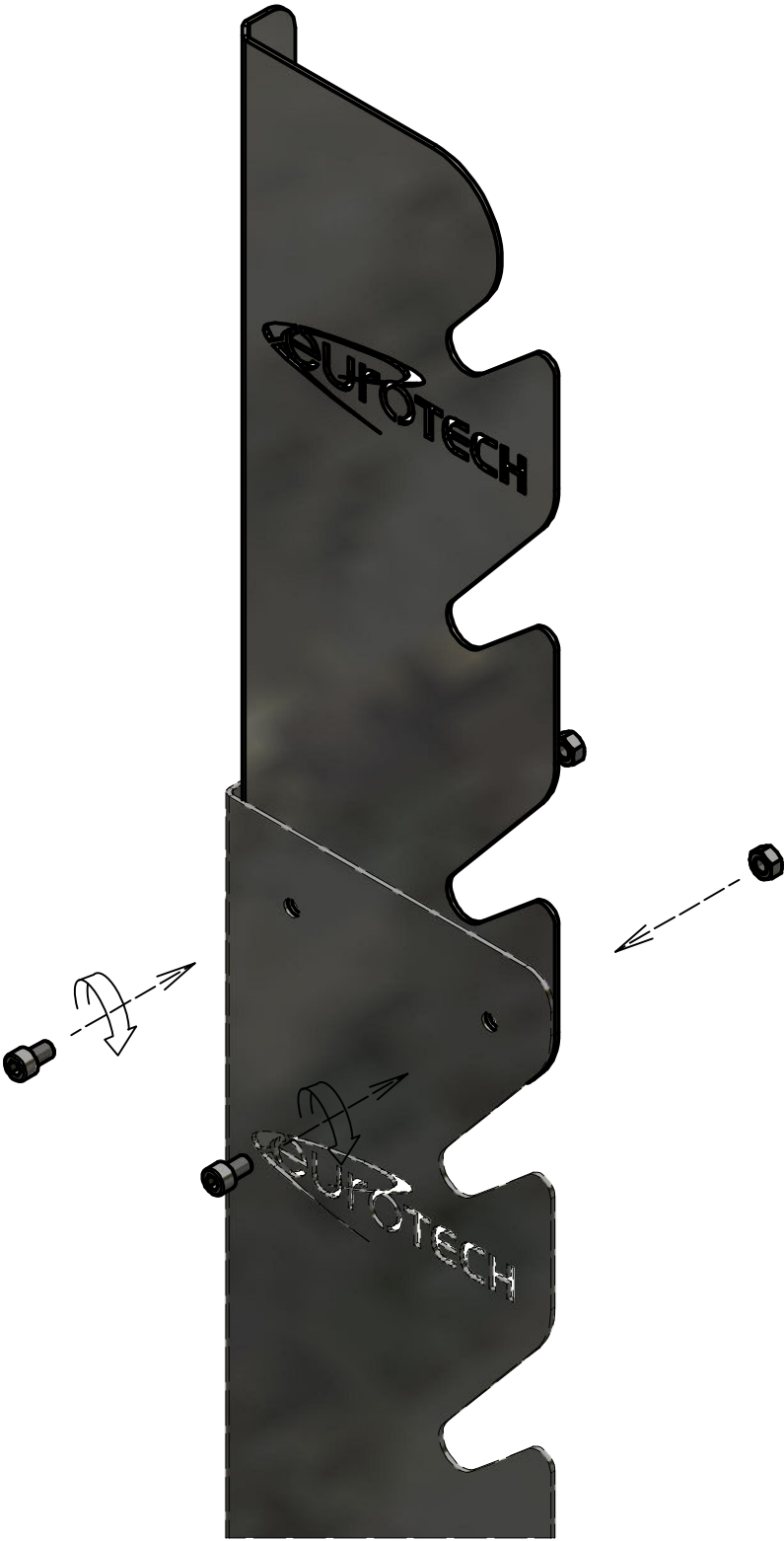
4X



3X

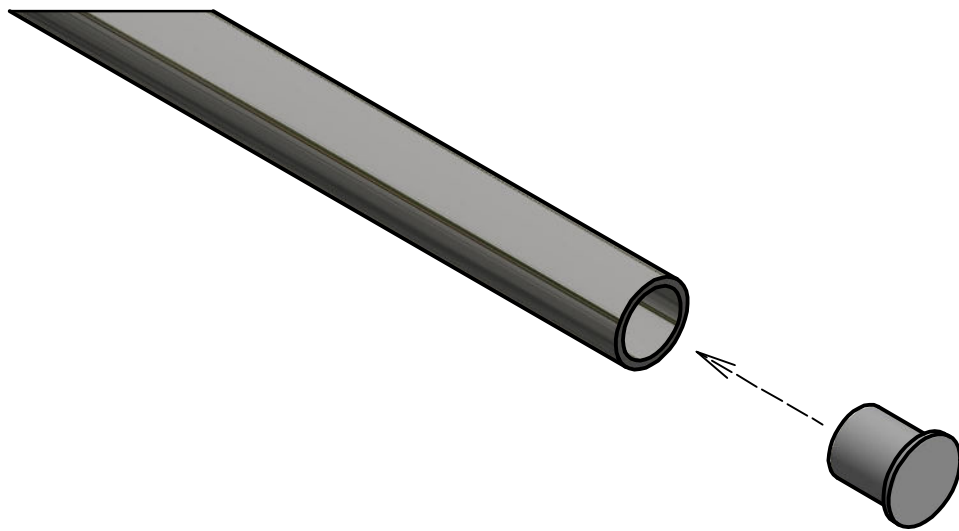
EUROTECH

STEP 1

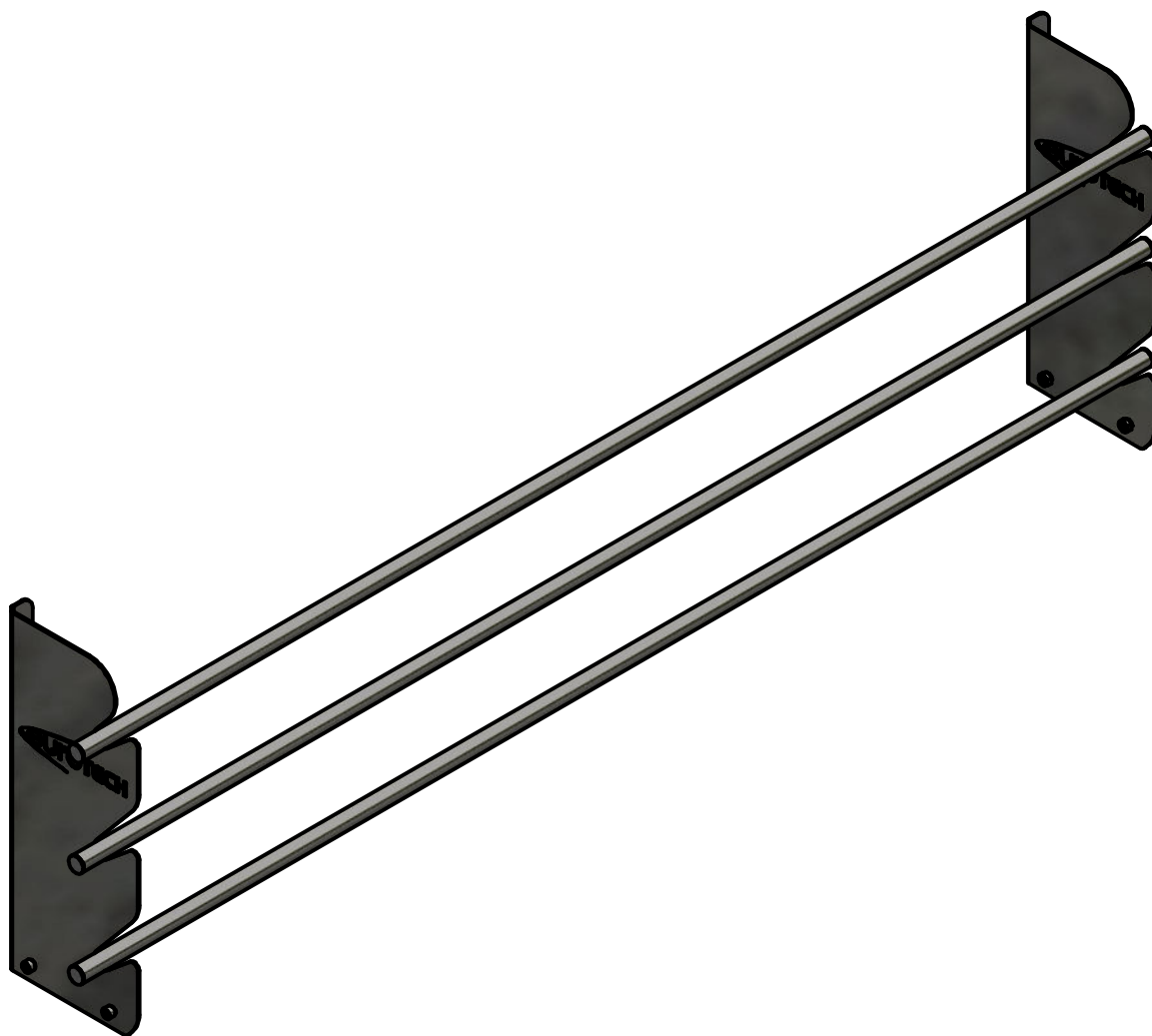


EUROTECH

STEP 2



WALL RACK EXTENDER



EUROTECH