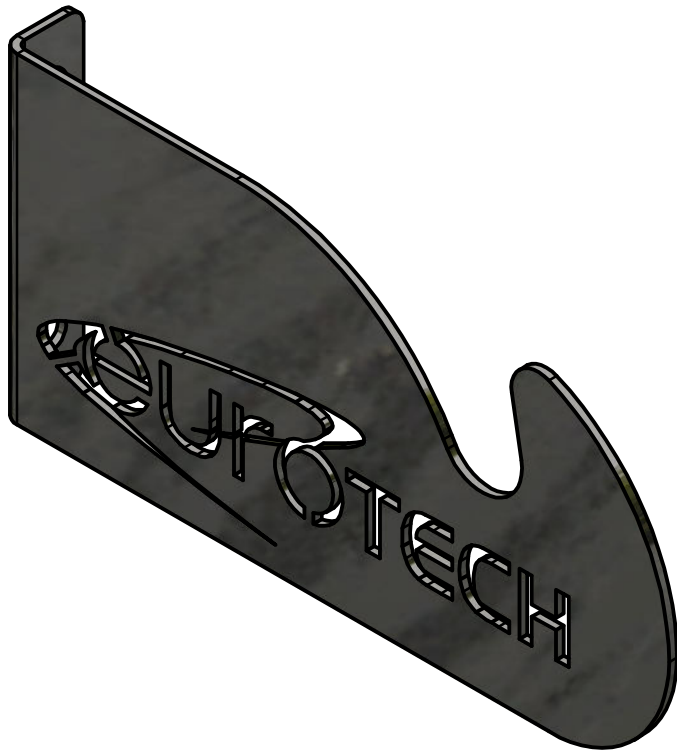


MODULAR POLE HOLDER

INSTRUCTION SHEET



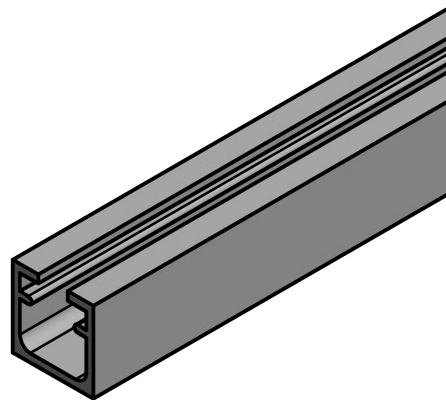
COMPONENTS



1X



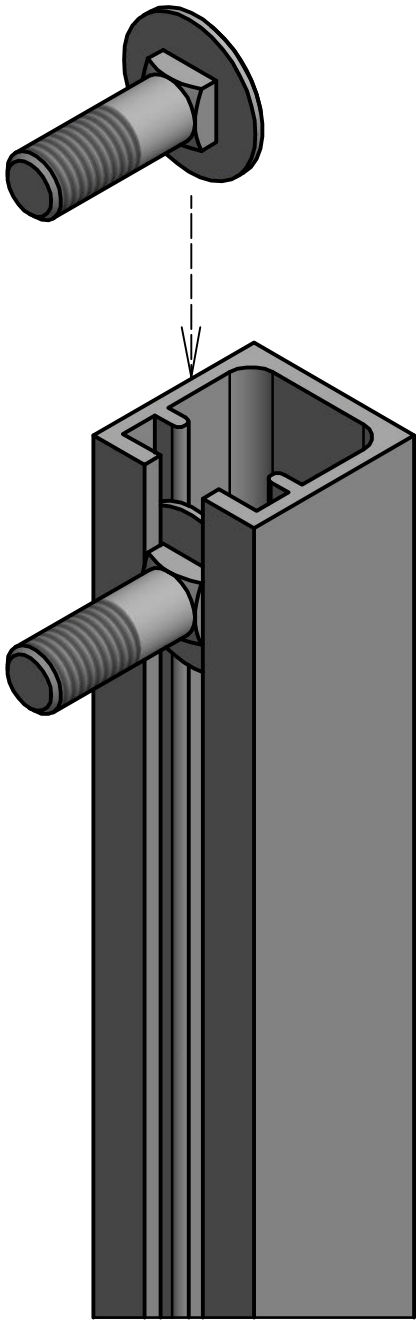
2X



1X



STEP 1



STEP 2



MODULAR POLE HOLDER

