

NEON LED DIMMER



The dimmer is a light intensity controller that can adjust the brightness of your LED build. It is a knob-operated control, with which you can easily set up the brightness according to your needs.

TECHNICAL PARAMETERS

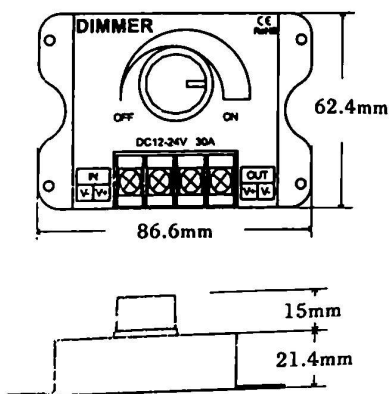
Power supply voltage:	12-24V	Output:	1 channel
Output current:	30A	Output power:	12V<360W ~ 24W<720W
Remote distance:	+20m	Net weight:	135g
Working temperature:	-20°C to 60°C		

CONTROL METHOD

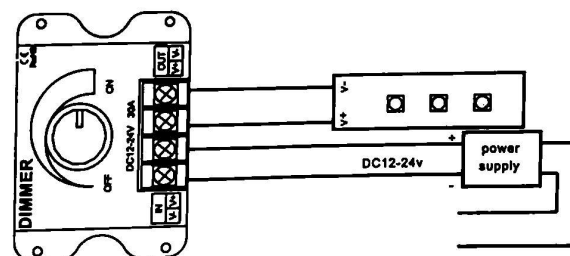
Connect the load wire first, followed by the main power wire.
Please ensure there is no risk of a short circuit.
Wireless controller connects as follows:



PRODUCT SIZE



CONNECT DIAGRAM



SAFETY INFORMATION

1. The input voltage of this controller should be 12-24V DC
2. Please always follow connection diagrams
3. Warranty of 1-year does not cover overload or damage caused by misuse